

Wheel Features

Tread Material:	PU	Core Material:	High Strength PP
Bearing:	Annular Ball Bearing	Tread Hardness:	95A±3
Temperature:	-20°C~50°C	Running Speed:	3.2km/h

Note: Use beyond temperature range or beyond the recommended speed may shorten product life or even damage the product.



- ✓ High quality polyurethane is resistant to oil and wear.
- ✓ Integral bearing, high concentricity
- ✓ Moderate hardness, can effectively protect the ground.
- ✓ Metal dust cover is solid and durable.
- ! Hot and humid conditions shorten service life.

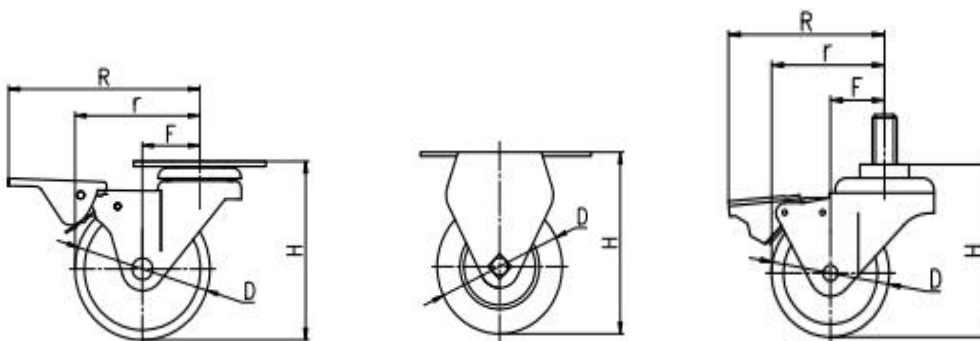


Rolling resistance	■ ■ ■ ■ □	Very good
Wear resistance	■ ■ ■ ■ ■	Excellent
Operating noise	■ ■ ■ ■ □	Very good
Floor surface preservation	■ ■ ■ ■ □	Very good

Bracket Features

- ✓ Stable braking effect
- ✓ Bracket made of pressed steel plate, firm and strong
- ✓ Two sets of balls riveted structure has small clearance and high strength.
- ✓ Dustproof ring effectively protects grease for long service life
- ✓ Blue galvanized, ROHS/REACH passed, salt spray test over 72 hours

Parameter (mm)							
Wheel Size	Capacity	Wheel Dia.	Wheel Width	Total Height	Offset	Swivel Radius	Swivel Radius
2"	35	53	25	72	26	52.5	81.5
2.5"	40	63	25	85	28	59.5	82



Mounting Drawing

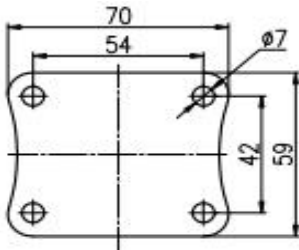


Plate Swivel/Brake

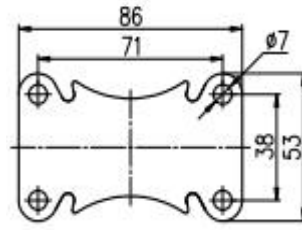
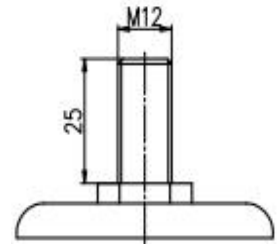


Plate Fixed



Threaded Stem

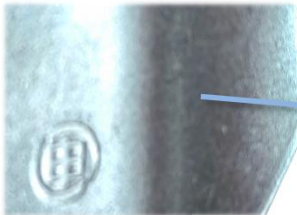
Product ID					
Product Images					
Wheel Size	Plate swivel	Plate fixed	Plate swivel brake	Threaded stem	Threaded stem brake
2"	15A01-1010	15A03-1010	15A02-1010	15A04-1010	15A05-1010
2.5"	15A06-1011	15A08-1011	15A07-1011	15A09-1011	15A10-1011

Product Details

Double steel bowl design, stable structure, flexible rotation. Dustproof ring protection, effectively dust-proof and grease lubrication.



Zinc-plated, blue surface treatment bracket, the salt spray for 72 hours. ARC shape, Nice appearance and high strength.



The nut is equipped with a locking and anti-loose washer, very tight.



Iron cover is beautiful and anti-winding.

